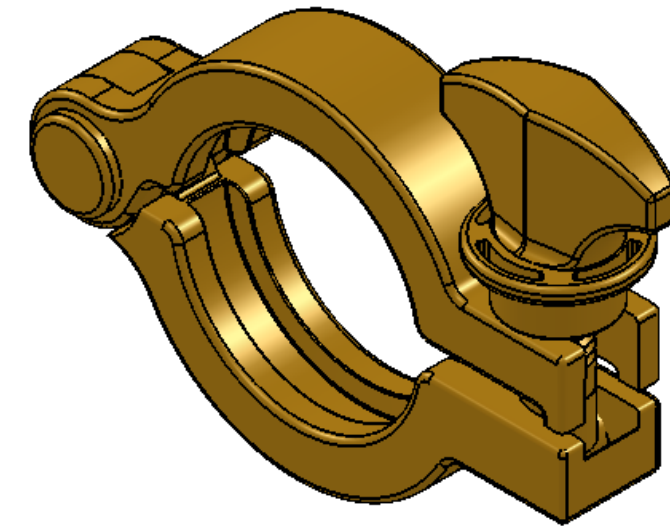
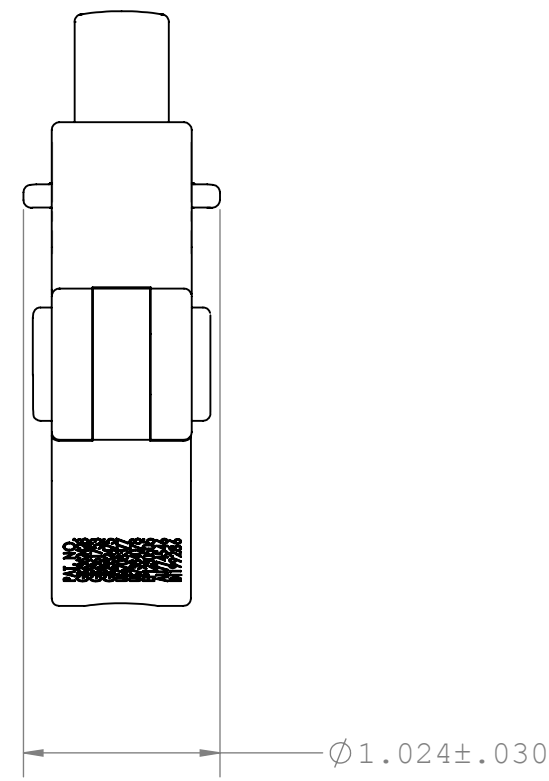
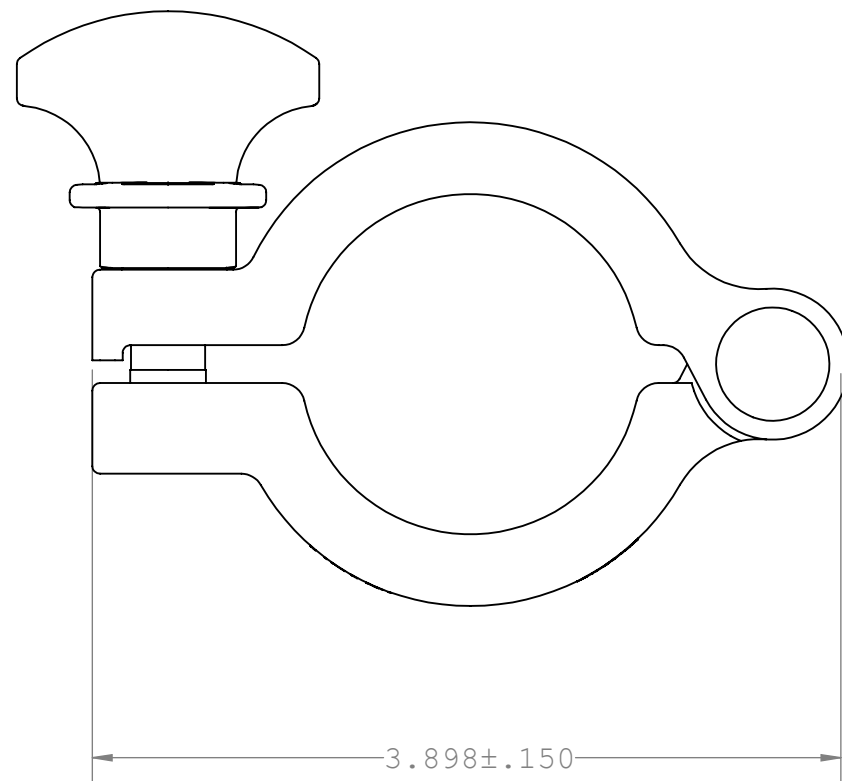


NOTES: FOR ADDITIONAL DETAILS, PLEASE CONTACT VP CUSTOMER SERVICE

REVISIONS			
REV.	DESCRIPTION	DATE	APPROVED
A	Initial Release	7-29-10	R. Cairns
B	ECO 235: Material Change	7-26-12	R. Cairns



UNLESS OTHERWISE SPECIFIED DIMENSIONS ARE IN INCHES TOLERANCES ARE:		VALUE PLASTICS, INC			
FRACTIONS DECIMAL ANGULAR ± .XX ±.01 ± 1° .XXX ±.005 .XXXX ±.001 DO NOT SCALE DRAWING		PART NUMBER: VNG150WHT			
		DESCRIPTION: Clamp, Maxi Flange, 1" (25.4 mm) to 1.5" (38.1 mm), Glass Reinforced White Nylon			
DRAWN BY: Marcus Kincaid	DATE: 8/16/2012	SIZE: B	SCALE: NTS	VER:	DWG. NO. 1018294
MANAGER: R. Cairns		© 2010 VALUE PLASTICS, INC			SHEET: 1 OF 1
REV B					

FOR REFERENCE ONLY